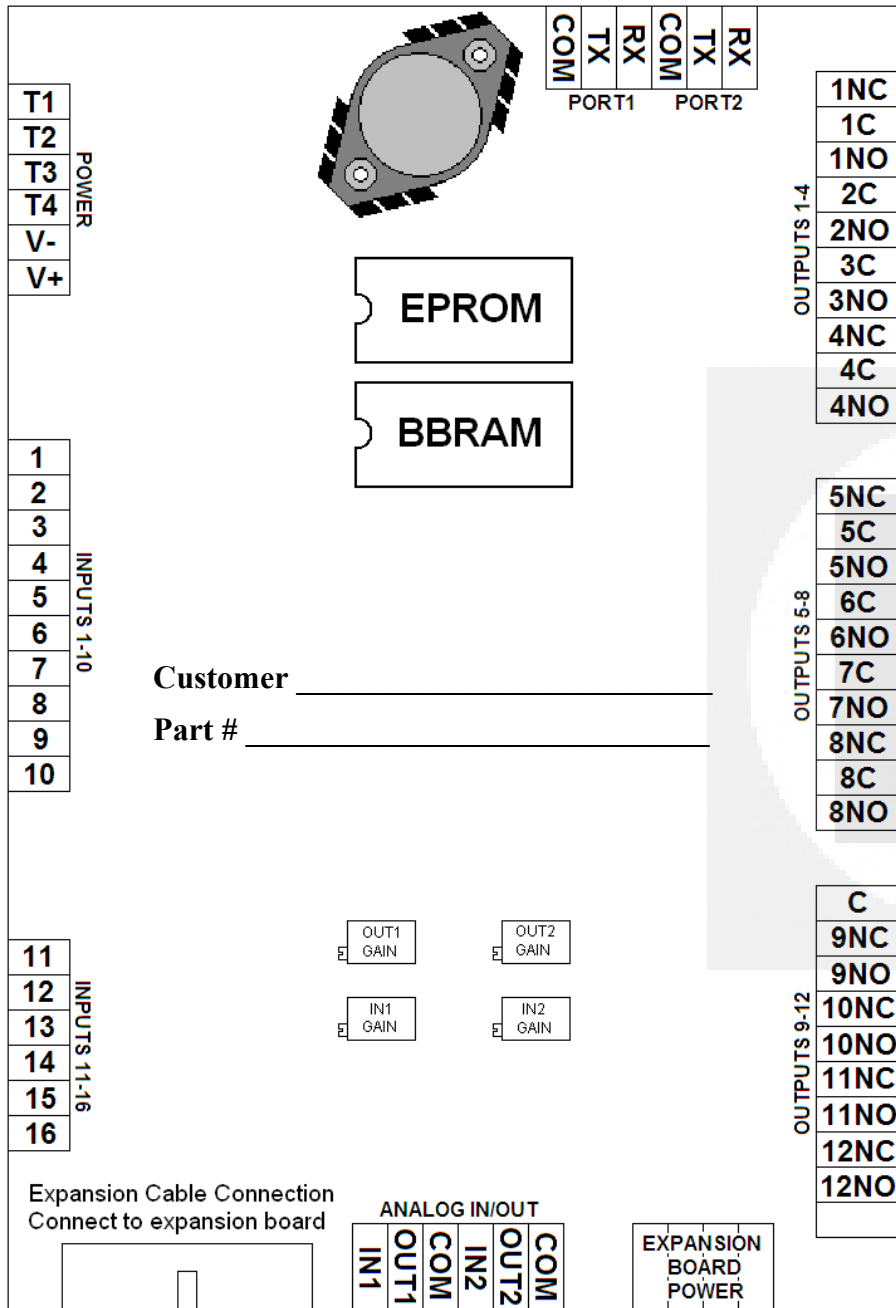


# SK1600-RIC Main Board Wiring Diagram



Customer \_\_\_\_\_  
Part # \_\_\_\_\_

<b>POWER:</b>	T1 & T2 = BOARD POWER 12VAC or 12VDC  (120/240VAC with transformer) * Surge Suppression is recommended *
<b>NOTES:</b>	

<b>DIGITAL INPUTS:</b>	120VAC Inputs (Factory Configured)  Connect 120VAC to Terminals T3 and T4  Switch V- to The Actual Input  * Consult Factory for different Voltages *
<b>NOTES:</b>	

<b>DIGITAL OUTPUTS:</b>	<b>Outputs 1-4</b> Have Individual Commons  <b>Outputs 5-8</b> Have Individual Commons  <b>Outputs 9-12</b> All Share One Common  Form C Relays  5 Amp @ 120VAC or 30VDC  Common Terminal Rated @ 8 Amps Max  * Surge Suppression is recommended *
<b>NOTES:</b>	

<b>ANALOG INPUTS:</b>	Adjustable 0v to (2.5-10VDC) *Via Trimpots*
<b>ANALOG OUTPUTS:</b>	Adjustable 0v to (2.5-10VDC) *Via Trimpots*
<b>NOTES:</b>	

<b>DIMENSIONS</b>	<b>Board</b> W = 7.75" , H = 10.00"  <b>Board on mounting plate</b> W = 9.00" , H = 13.00"
-------------------	--

3857 Orangeport Rd, Gasport NY 14067  
Phone (716)772-7216 Fax (716)772-2604  
Web [www.entertron.com](http://www.entertron.com) E-Mail [plcs@entertron.com](mailto:plcs@entertron.com)

**ENTERTRON INDUSTRIES INC.**  
*Specializing in PLCs for OEMs since 1978*