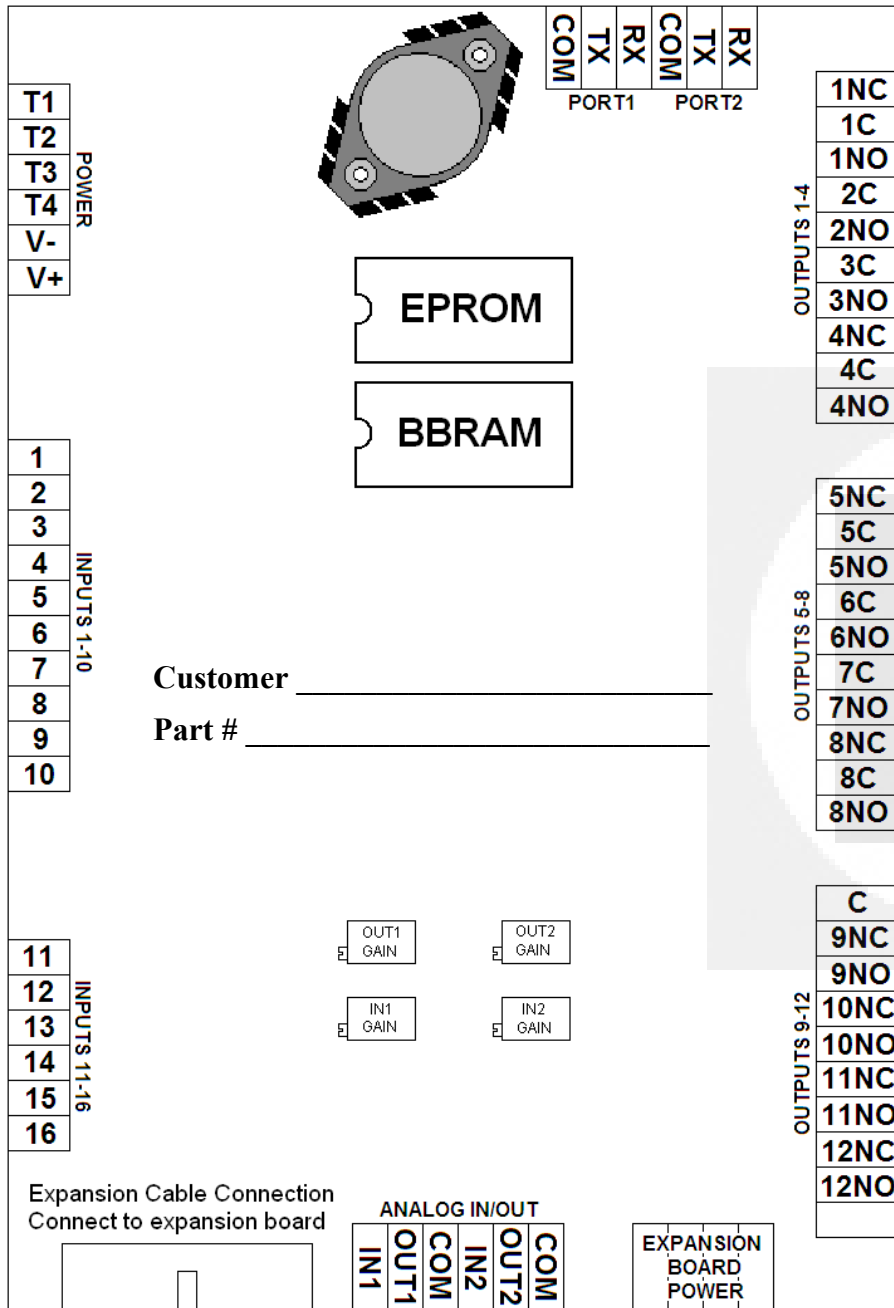


SK1600-RIC Main Board Wiring Diagram



POWER:	T1 & T2 = BOARD POWER 12VAC or 12VDC
	(120/240VAC, +10/-30%, 50-60Hz with transformer) * Surge Suppression is recommended*
NOTES:	

DIGITAL INPUTS:	12-24VDC, NPN 10mA, Sink Inputs to V-
	1.0 Amp 12VDC at V+ and V- Terminals with 120/240VAC transformer
	Input 8 is 10kHz High Speed Counter (HSC)
	AC Inputs are available (Consult Factory)
NOTES:	

DIGITAL OUTPUTS:	Outputs 1-4 Have Individual Commons
	Outputs 5-8 Have Individual Commons
	Outputs 9-12 All Share One Common
	Form C Relays
	5 Amp @ 120VAC or 30VDC
	Common Terminal Rated @ 8 Amps Max
	* Surge Suppression is recommended *
NOTES:	

ANALOG INPUTS:	Adjustable 0v to (2.5-10VDC) *Via Trimpots*
ANALOG OUTPUTS:	Adjustable 0v to (2.5-10VDC) *Via Trimpots*
NOTES:	

DIMENSIONS:	Board W = 7.75" , H = 10.00"
	Board on mounting plate W = 9.00" , H = 13.00"

3857 Orangeport Rd, Gasport NY 14067
 Phone (716)772-7216 Fax (716)772-2604
 Web www.entertron.com E-Mail plcs@entertron.com

ENTERTRON INDUSTRIES INC.
 Specializing in PLCs for OEMs since 1978